

KSC DCT Series

Dual Circuit Technology Tactile Switch 6.2mm x 6.2mm, with 5.2mm Height Soft Actuator



Description

The KSC DCT series of sealed tactile switches for SMT are IP67 rated, momentary action tactile switches, featuring a soft actuator and the single pole double throw function. The switches have an operating force of 4.75N +/-1.25N and a lifespan of 300K cycles. The KSC DCT series is designed to give users a positive tactile feeling.

Features & Benefits

- SPDT NC-NO function
- Soft actuator 5.2mm high
- J bend or gullwing terminals
- Tape & reel
- IP67

Applications

- Transportation
- Medical equipment
- Industrial electronics
- Consumer products

Specifications

Function	Momentary action
Contact Arrangement	SPDT
Terminals	J bend & Gullwing type for SMT
Sealing	IP67

Note: Specifications listed above are for switches with standard options. For information on specific and custom switches, consult Customer Service Center.

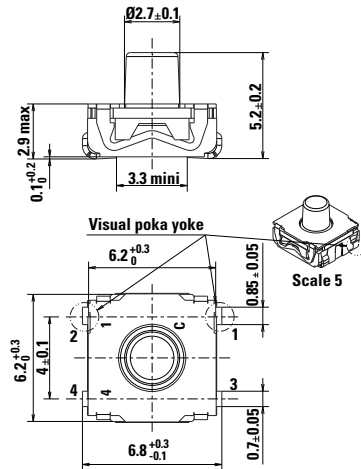
Electrical Characteristics

	Activated Position	Released Position
Dielectric Strength (50Hz, 1min)	125 Vrms	250 Vrms
Contact resistance	0.1 Ohm	0.5 Ohm
Insulation resistance (100V)	1000 MOhm	1000 MOhm
Bounce Time	3 ms	20 ms
Maximum Power	1 VA	0.5 VA
Maximum Voltage	24 V	12 V
Minimum Voltage	0.02 V	0.04 V
Maximum Current	50 mA	25 mA
Minimum Current	1 mA	2 mA

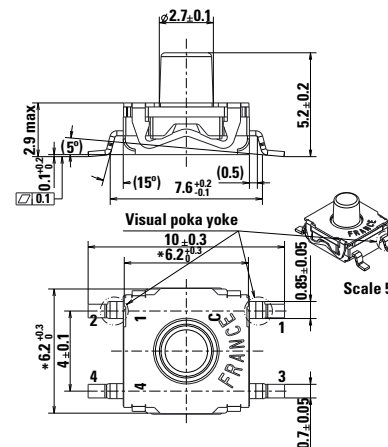
Environmental Characteristics

Operating Temperature	-40°C to 85°C
Storage Temperature	-55°C to 85°C

Dimensions J Termination (mm)



Dimensions G Termination (mm)



KSC DCT Series

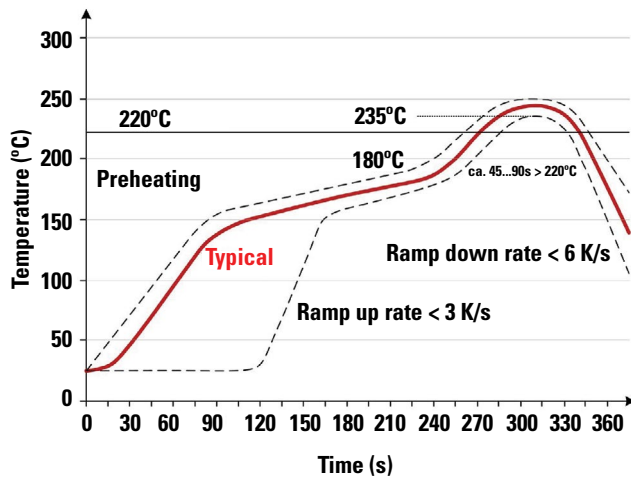
Dual Circuit Technology Tactile Switch 6.2mm x 6.2mm, with 5.2mm Height Soft Actuator



Mechanical Characteristics

Part Number	Force (N)	Operating Life (operations)	Travel (mm)
KSC441J DCT 70SH LFS	4.75 +/- 1.25	300,000	0.85+0.35/-0.25
KSC441G DCT 70SH LFS			

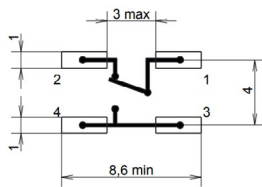
Soldering Profile



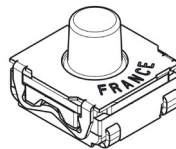
Soldering process: Depending on the application, this component is suited to the following methods:

- Terminals being silver plated the use of slightly activated flux is suitable.
- Lead free soldering process in accordance with the definition on the left – 2 cycles max

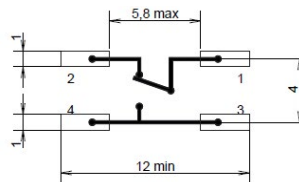
J Terminations (mm)



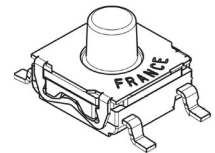
LAYOUT - PAD
SCALE : 5
1 - 2 NC
1 - 3 NO



G Terminations (mm)



LAYOUT - PAD
SCALE : 5
1 - 2 NC
1 - 3 NO

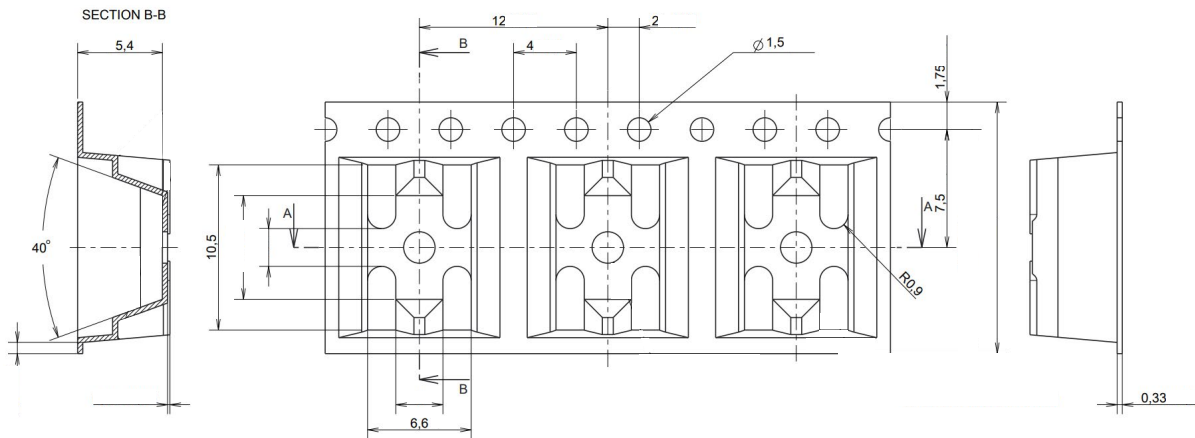
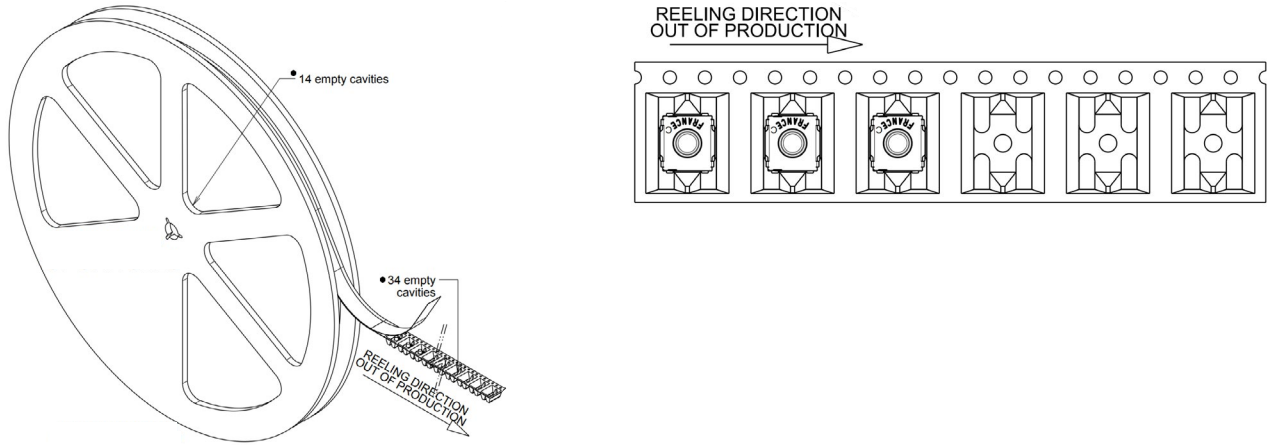


KSC DCT Series

Dual Circuit Technology Tactile Switch 6.2mm x 6.2mm,
with 5.2mm Height Soft Actuator

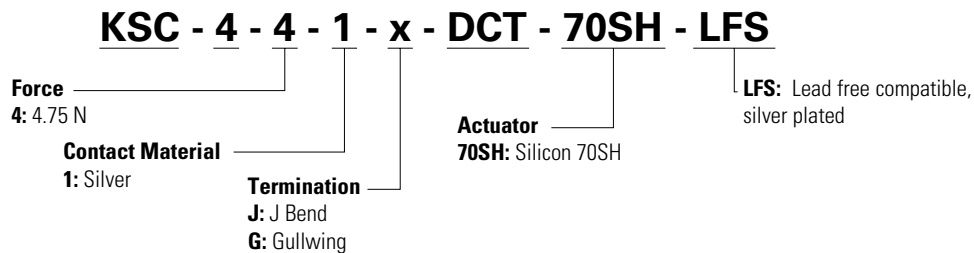


Packaging Information



Ordering Number

Our easy build-a-switch concept allows you to mix and match options to create the switch you need. To order, select desired option from each category. For any part number different from those listed below, please consult your local representative.



Liability Limitation

This datasheet does not provide enough information for applications that require a certain level of quality or safety such as automotive, medical systems, or safety equipment. Please contact customer service for the contractual specification package.

Disclaimer Notice - Information furnished is believed to be accurate and reliable. However, users should independently evaluate the suitability of and test each product selected for their own applications. Littelfuse products are not designed for, and may not be used in, all applications. Read complete Disclaimer Notice at <http://www.littelfuse.com/disclaimer-electronics>.